



Owner's Manual

Sage L100m

Tri-amplified On-Wall

Coaxial Planar Magnetic Loudspeaker

Table of Contents

Introduction | 3

Overview | 3

Unpacking the L100m | 7

Supplied Hardware | 7

Installing the L100m | 8

 Proper Planar Placement | 8

 Bracket Assembly and Template Detail | 9

Making the L100m Connections | 12

Care & Maintenance | 12

North American Warranty | 13

Obtaining Service | 14

Specifications | 15

L100m Dimensions HF Planar Section | 16

L100m Dimensions LF Woofer Section | 17

DOCUMENT CONVENTIONS

This document contains general safety, installation, and operation instructions for the Wisdom Audio Sage L100m Loudspeaker. It is important to read this document before attempting to use this product. Pay particular attention to:

WARNING: Calls attention to a procedure, practice, condition or the like that, if not correctly performed or adhered to, could result in injury or death.

CAUTION: Calls attention to a procedure, practice, condition or the like that, if not correctly performed or adhered to, could result in damage to or destruction of part of or the entire product.

Note: Calls attention to information that aids in the installation or operation of the product.

Introduction

Congratulations on purchasing your Wisdom Audio system. It incorporates many design features engineered to give you decades of pleasure and performance. Many of these design choices are uncommon among loudspeaker manufacturers and bear some explanation. See the following section entitled “Overview” for more information.

Our unique driver designs and our emphasis on achieving real-world performance account for the “system” approach taken. These are not speakers that are simply connected to speaker wires and promptly forgotten. We recognize that setting up a Wisdom Audio system can be a bit more involved than connecting a common set of loudspeakers, which is why we recommend that our systems be engineered and calibrated by Factory Personnel

Your **Sage L100m series** loudspeakers are specifically designed to avoid the compromises inherent in conventional speaker designs. There are no passive crossover components inside the speaker. Instead, there are direct connections from the amplifiers to their respective High-Pass and Low-Pass drivers and an external active crossover is used, such as the ones inside of our Wisdom SA-DSP (Digital Signal Processing) Amplifiers. It is truly a “system” design, and not merely a collection of loudspeaker drivers in a box. Please contact us to learn which products/amplifiers/ surround processors outside of our DSP Amplifiers will work with our speakers and subwoofers. Info@wisdomaudio.com

Overview

Your **Sage L100m** loudspeakers take advantage of several critical technologies to deliver a level of performance that has never been available in a loudspeaker that intruded so modestly on your living space. In fact, this level of performance has rarely been attained, regardless of the space and budget at one’s disposal.

Since several of these technologies cannot readily be found elsewhere, we will take time to describe them in more detail than would be necessary for more conventional designs.

Our planar magnetic drivers use an advanced, thin film membrane to move the air. This film can respond instantly to the smallest detail in the signal. It has vastly less inertia than traditional “cone & dome” drivers, so the signal is never blurred in any way.

One of the most remarkable things about the sound of well-designed planar magnetic speakers is their lack of thermal or dynamic compression. There are several reasons for this:

- The lightweight diaphragm responds quickly to even the smallest signals yet is robust enough to handle a great deal of power.
- The voice coil is laid out flat and is exposed to the air on both sides; the large resulting surface area dissipates heat extremely quickly and efficiently.
- Since heat does not build up in the voice coil (as it does in conventional dynamic drivers), the load seen by the amplifier does not change at high power levels.

When you become accustomed to the sound of your new **Sage L100m** speakers, conventional speakers sound a bit bland and lifeless. You may also discover yourself hearing details at even modest levels on the **Sage L100m** that were previously inaudible even at loud volumes on more conventional speakers.

The “voice coil” in the planar magnetic driver is spread out over a large area that is exposed to the open air. As such, when a huge transient comes along, any heat that is generated is immediately dissipated. This compares quite favorably to other designs in which the voice coil is buried inside a massive piece of metal, where the heat effectively has no place to go.

The excellent heat dissipation of these drivers makes them remarkably reliable. Planar magnetic speakers can handle a great deal of power without undue stress or audible strain. In fact, for a given size, they can handle *many times* the power of a traditional dynamic driver.

Because the conductor of a planar magnetic driver is essentially a long, thin wire, it presents a purely resistive load to the amplifier. This is comparable to the simple test loads that amplifier companies use when measuring their amplifiers to show how terrific they are. As such, you can be assured that your amplifiers will sound and work their best.

Authoritative, deep bass requires that you move a lot of air. We have chosen to use dynamic woofers for the bass because they can provide excellent performance at lower frequencies.

To get comparable bass performance from a planar magnetic design, you would need to have a huge speaker that would be impractical in most domestic living spaces. It simply

makes more sense to use the best transducer technology in each area of the reproduced spectrum. One of Wisdom Audio’s strengths is in seamlessly blending these technologies — particularly important given the high standards set by our planar magnetic drivers.

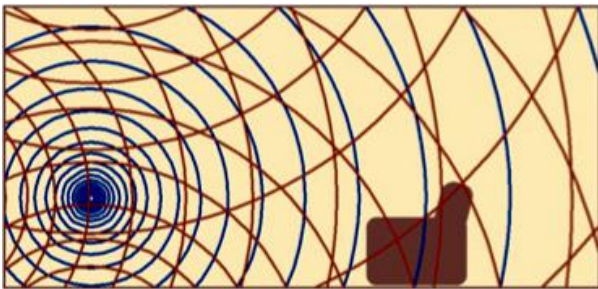
Of course, the dynamic woofers themselves must be extraordinary to “keep up” with the planar magnetic drivers. Specifically, we require powerful, highly dynamic, articulate, uncompressed bass from an enclosure of extremely limited volume that retains a narrow physical aspect. These performance and design criteria require extraordinary attention to myriad details that are integrated into all Wisdom speakers.

Many speakers include a mid-bass “bump” in their response to give the illusion of going deeper in the bass than they actually do. Unfortunately, this “bump” makes blending them seamlessly with a high-quality subwoofer almost impossible.

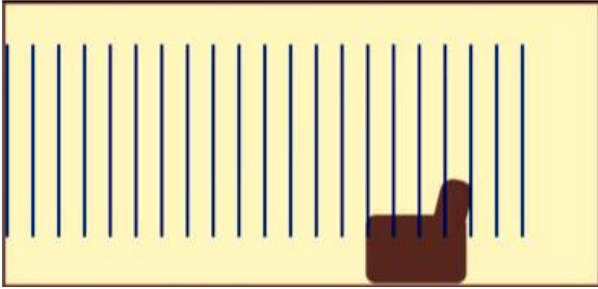
All Sage Series speakers have been designed to optimally crossover at 80 Hz, which is the most common transition frequency used to integrate subwoofer(s).

Line Source Speakers

Almost all loudspeakers radiate sound into the room as imperfect “point sources”. This means that most of the energy they put into the room expands as an ever-enlarging sphere, as though emerging from a single point in space. This results in a multitude of reflections from the ceiling and floor that can degrade sound quality.



By contrast, the **Wisdom Sage Series L100m** speakers radiate sound as a “line source”. The sound moves into the room as an expanding cylinder, rather than as an expanding sphere — as though from a vertical line suspended in space.



Line source speakers provide two significant advantages:

- Ceiling and floor reflections are minimized, resulting in greatly reduced interference, letting you hear more of the speaker and less of the room.
- The sound pressure level (SPL) throughout the room is much more evenly distributed, making it much easier to set the “right” volume, no matter where the audience is seated.

To achieve this highly desirable line source behavior, it is essential to have a tall and slim driver. (Simply stacking multiple “cone & dome” high frequency drivers does not create a proper line source. Instead, it creates a *series* of point sources, which end up interfering with each other). With Wisdom Audio’s planar magnetic technology, it becomes possible to have drivers that are *extremely* tall and slim.

Because of this shape, the sound (even at high frequencies) is distributed uniformly across the width of the room from a driver that “looks” only less than an inch wide acoustically. However, the sound is launched in a much more directional way vertically. By minimizing early reflections from the ceiling and the floor, the clarity of the system is greatly enhanced. This is heard in both tremendous musical detail and in much-improved dialog intelligibility.

For more detailed information on planar magnetic drivers and the difference between point source and line source speakers please visit wisdomaudio.com.

Unpacking the L100m

The **Wisdom Audio Sage L100m** on-wall speaker is a substantial piece of equipment. Please exercise caution when unpacking your L100m speaker sections to ensure that you do not strain yourself from their (perhaps unexpected) weight.

CAUTION: Do not attempt to lift the L100m modules while bending or twisting from the waist. Use your legs for lifting, not your back. Always stand as straight as possible and keep the L100m modules close to your body to reduce strain on your back.

We do not recommend removing the grille on your new loudspeakers. The grille is an integral part of the design; moreover, the planar magnetic film should never be touched, as it is tensioned precisely at the factory. The grille plays an important protective role as well as an aesthetic one.

After unpacking your L100m, keep all packing materials for future transport. If you need to ship your speaker, only the original, purpose-designed shipping carton is acceptable. Any other method of shipping this product runs a significant risk of damage to the speaker – damage that would not be covered by the warranty. (If you lose your packaging and need to ship your speakers, replacement packaging can be purchased from Wisdom Audio.)

Supplied Hardware

Included in the carton is a full-size template of your speaker and the mounting hardware shown below.



Wall Brackets (X3)



#8 Screws (x9)



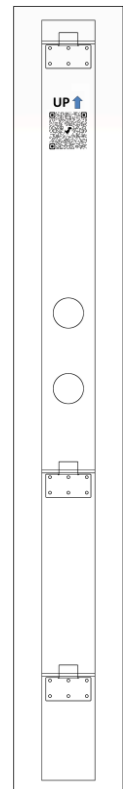
Drilling Toggles (X9)

The 3 wall-mounted brackets mate with the speaker-mounted brackets which are preinstalled on each speaker section.

CAUTION: *It is the responsibility of the installer to supply appropriate attachment hardware if the supplied toggles are not suitable for the installation.*

For additional guidance, visit our YouTube channel installation video.

<https://youtu.be/fLPsufSzFk>



Installing the L100m

IMPORTANT INFORMATION!

NOTE: The L100m is a tri-amplified speaker, and each speaker requires a total of 3 speaker cables; 2 for the woofer (LF) section and 1 for the planar magnetic (HF) section.

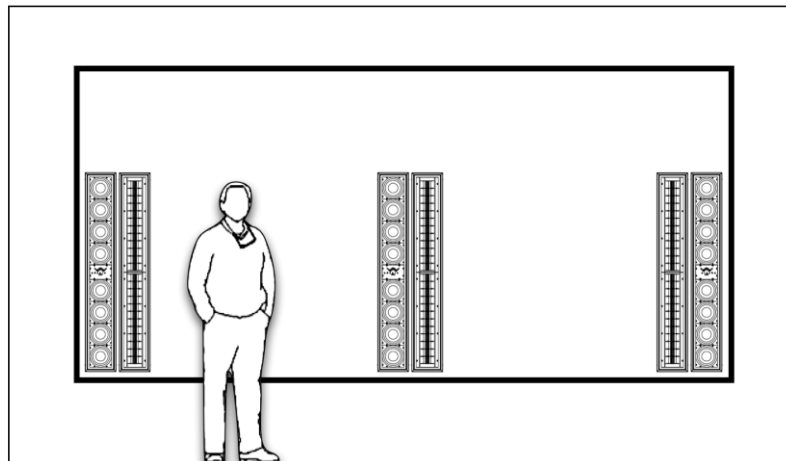
There is a 0.43" (11mm) deep x 3.5" (89mm) wide channel on the back of the speakers that allows clearance for speaker cables. Foam strips on each side of the channel protect the wall surface, prevent vibration, and provide a secure mate with the wall surface.

The diagram on the following page provides dimensional details of the templates, mounting brackets, and speaker module input locations. Use this to plan the placement of the speaker cable exits and bracket locations. The speaker cable must exit the wall in the region between the middle and upper brackets to allow unobstructed access to the speaker input terminals.

Dimensions for the speaker modules can be found in the [Dimensions](#) section at the end of this manual.

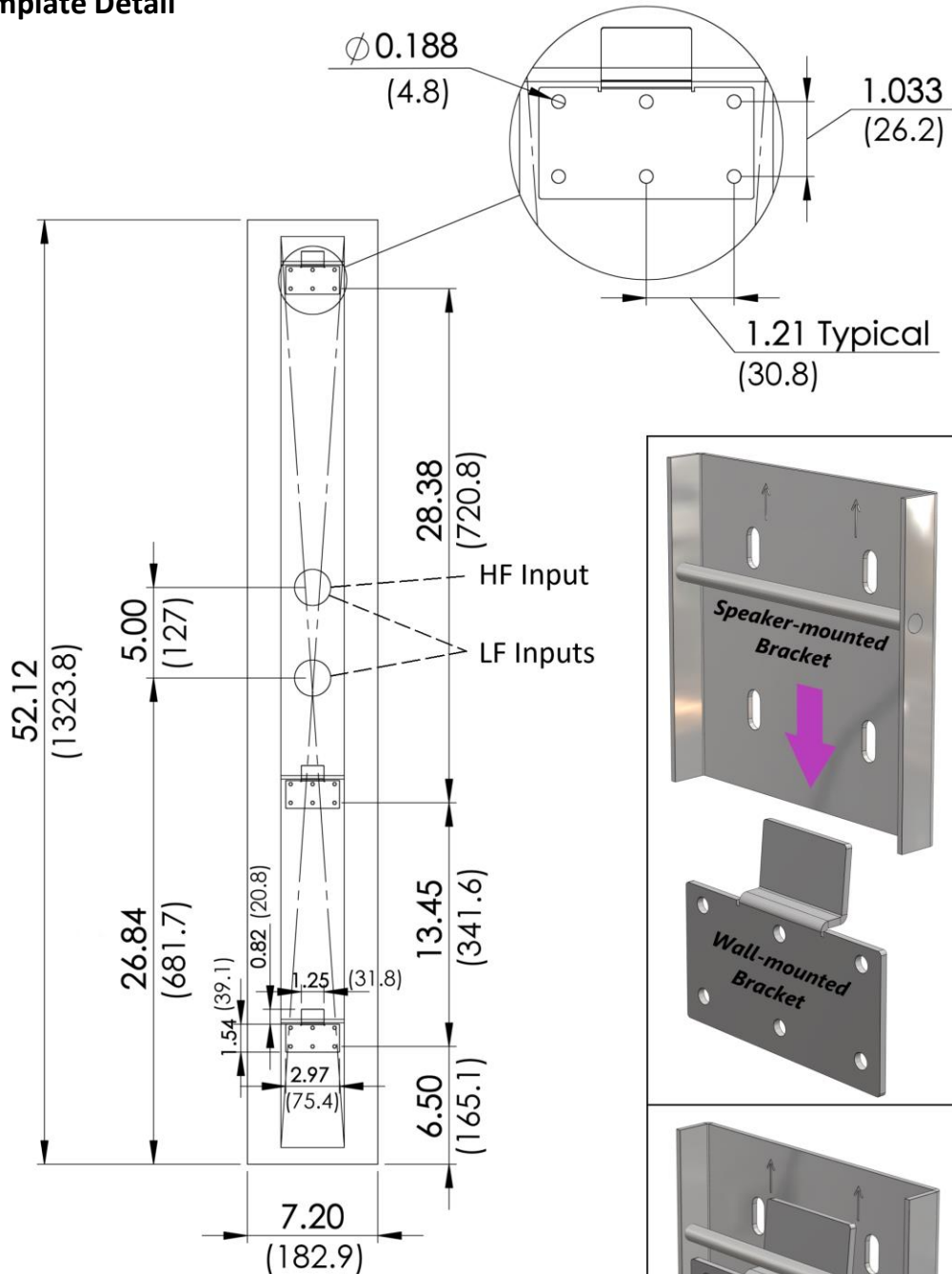
Proper Planar Placement

When using the L100m for front L&R and or Rear Surrounds the planar drivers should always be placed on the inside as shown below in a front screen-wall LCR example. The middle between the two columns is the acoustical center.

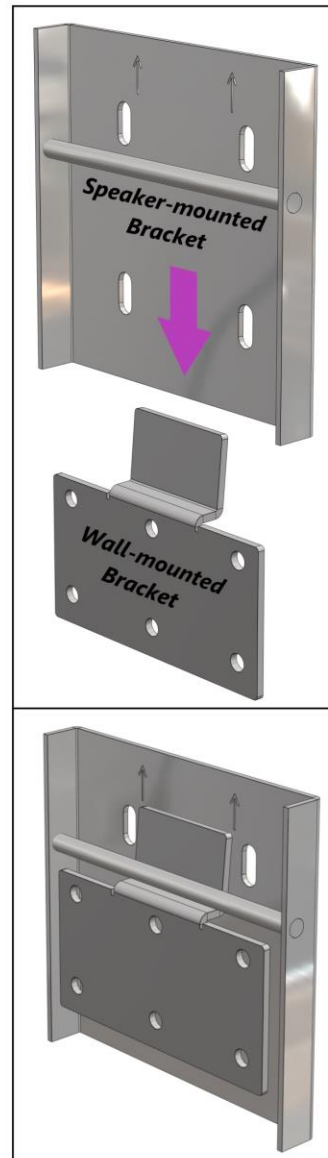


**Bracket Assembly and
Template Detail**

**DETAIL A
SCALE 1 : 2.5**



Note: The template contains two large holes where the input terminals are located. The HF (High Frequency) section uses only the top hole, whereas the LF (Low Frequency) section uses both holes.



XX.XX=in
(XX.X)=mm

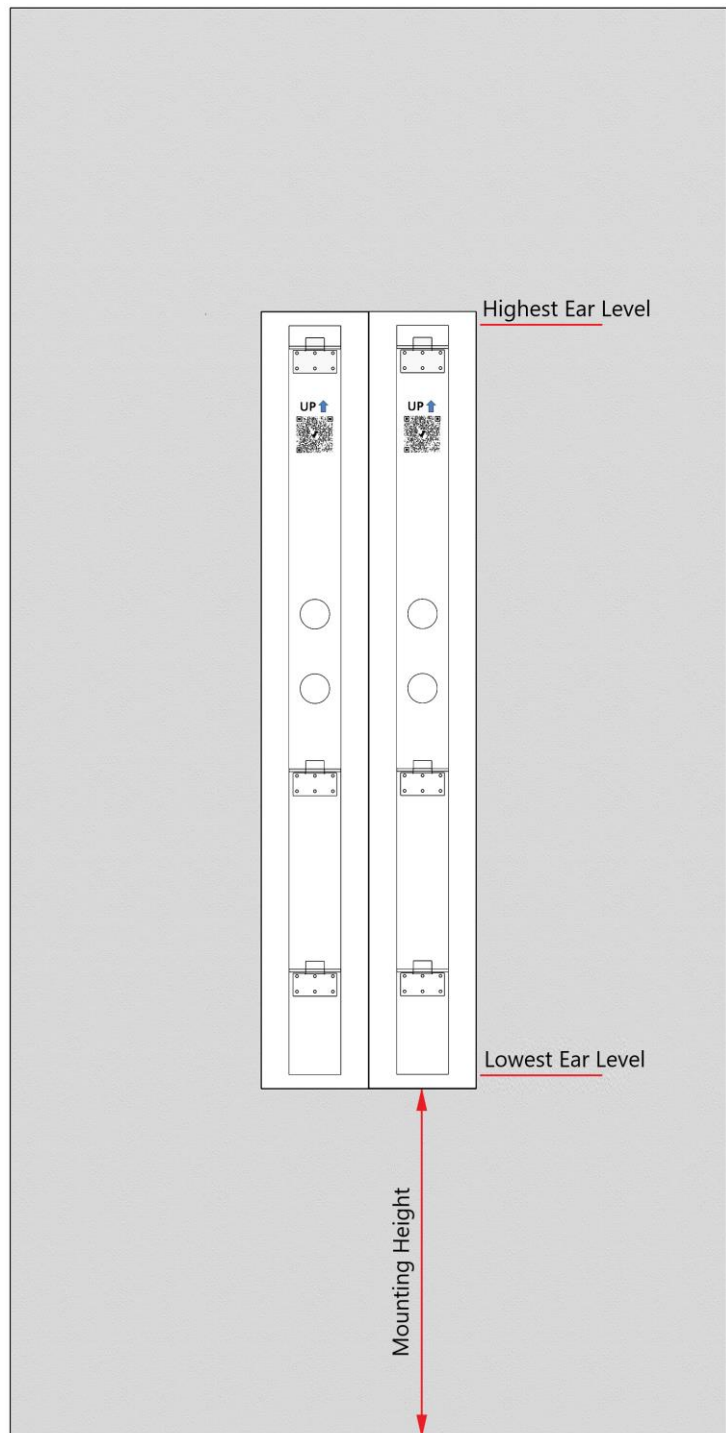
1. Determine the locations and positions for the speakers if this has not yet been done. Consideration must also be made for installation of the speaker cables.

Temporarily attach the templates to the wall using tape or push pins. Carefully align their positions so that they are level and plumb (in a vertically straight alignment). The templates should be placed side by side so that they are touching. This ensures the speakers will have little if any gap between them when mounted.

NOTE: *The templates are full-size, being the same height and width as the speakers.*

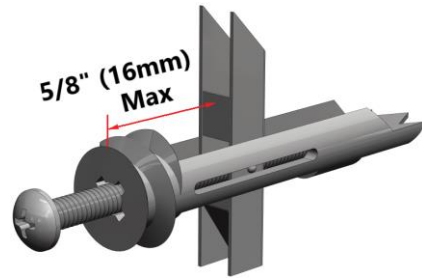
The **Mounting Height** shall be made according to the requirements of the listening space and the height of the listeners' ears when standing, sitting, or even lying down. A typical mounting height for the L100m is **24" (70cm)** from the floor. This is suitable for people up to 6'8" (203cm) in height.

2. Mark the hole locations or drill through the templates if preferred. If drilling pilot holes, a 3/32" (2.5mm) drill bit works well. There are a total of 6 holes per speaker bracket. Use 3 screws per bracket. It is recommended to use the pattern suggested in the images below; 2 on the top row and 1 on bottom. This is enough to properly support the speakers.

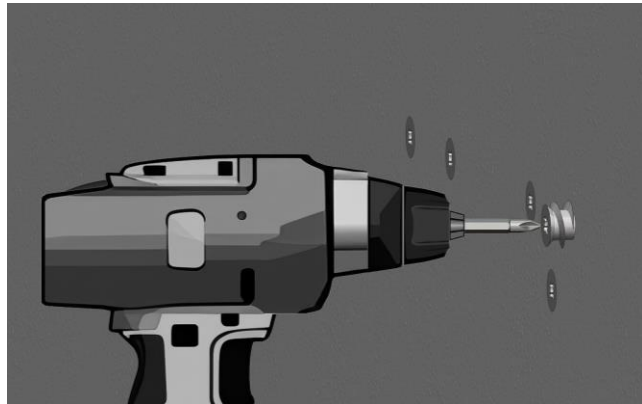


3. Remove the templates and drill holes for your attachment hardware at the locations of the 6 brackets. If using the supplied toggles, these can be screwed directly into gypsum walls without predrilling.

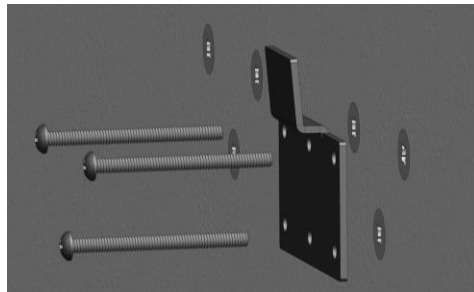
4. The toggles supplied with your speaker can be used in walls from 3/8" (10mm) to 5/8" (16mm) thick. They can be used in gypsum walls and in wood panels. In wood, the screws can be used without the toggles, but the holes must be predrilled with a 3/32", (2.5mm), or 7/64" drill bit.



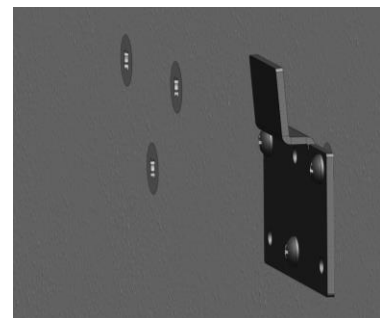
5. When using the toggles in gypsum panels, drill the toggles into the panel using a #2 Phillips bit. No predrilling is required. Carefully drill the toggle into the panel until the head of the toggle is flush with the wall surface.



6. Once all the toggles are inserted into the wall, pass the screws through the wall-bracket, and into the toggles. Tighten the screws to secure the toggles and the wall brackets. The toggles have a wing that flips out when the screws are inserted.



7. With assistance, set the speakers next to their mounting locations and connect the wires to the inputs of the speaker sections. See detailed instructions in the following section.



8. After making the connections, again with assistance, lift the speaker sections and hang them from the mounting brackets. Check that they are secure before releasing the modules. A small amount of movement is available to reposition the speakers slightly to the left or right and to allow adjustment of the space between the sections and their vertical orientation. The speaker sections should be set so there is little if any gap between them.

Caution! Do not use the L100m as a shelf! While its mounting system is quite rugged, it is designed to securely support the weight of the speaker itself. Do not place additional objects on it, and do not climb on it.

Making the L100m Connections

As with any system, you should make changes to the connections only when the power is turned off to avoid any chance of inadvertently causing a problem (such as a short-circuit).

Note: The Wisdom Audio L100m is a tri-amplified speaker that requires *three* sets of speaker wires for each speaker location rather than the usual two. One pair of connections is for the planar magnetic section, whereas the woofer section uses two sets of connections, one each for 4 of the 8 woofers.

We recommend using heavy-gauge speaker wire, the gauge will vary dependent on your speaker run length. Please consult an authorized dealer to determine what gauge would be best for your application.

Connect the chosen Low Frequency (LF) outputs of your Wisdom Audio amplifier to the woofer sections, taking care to get both the channel assignments and the polarity correct. Connect the positive (+) terminals on the amplifier to the positive (+) terminals of the woofer section of the loudspeaker; likewise, connect the negative (–) terminals on the amplifier and the speaker, respectively.

Next, connect the High Frequency (HF) midrange/treble outputs of your Wisdom Audio amplifier to the Sage L100m HF planar sections in a similar fashion, taking care with all three channel assignments and polarity.

Care & Maintenance

To remove dust from the front of your L100m, use a feather duster or a lint-free soft cloth.

Never attempt to clean the drivers themselves.

Caution!

Do not touch the surface of the planar magnetic drivers, under any circumstances. The thin film has been carefully pre-tensioned at the factory; any subsequent contact can only damage it.

North American Warranty

Standard Warranty

When purchased from and installed by an authorized Wisdom Audio dealer, Wisdom Audio loudspeakers are warranted to be free from defects in material and workmanship under normal use for a period of 10 years from the original date of purchase.

Furthermore, the transducers (“drivers”) in your Wisdom Audio speakers are warranted to be free from defects in material and workmanship under normal use for a period of 10 years from the original date of purchase.

Harsh Conditions Use

Wisdom Audio loudspeakers are designed for installation and operation in environmentally controlled conditions, such as are found in normal residential environments. When used in harsh conditions such as outdoors or in marine applications, the warranty is three years from the original date of purchase.

During the warranty period, any Wisdom Audio products exhibiting defects in materials and/or workmanship will be repaired or replaced, at our option, without charge for either parts or labor, at our factory. The warranty will not apply to any Wisdom Audio products that have been misused, abused, altered, or installed and calibrated by anyone other than an authorized Wisdom Audio dealer.

Any Wisdom Audio product not performing satisfactorily may be returned to the factory for evaluation. Return authorization must first be obtained by either calling or writing the factory prior to shipping the component. The factory will pay for return shipping charges only if the component is found to be defective as mentioned above. There are other stipulations that may apply to shipping charges.

There is no other express warranty on Wisdom Audio products. Neither this warranty nor any other warranty, express or implied, including any implied warranties of merchantability or fitness, shall extend beyond the warranty period. No responsibility is assumed for any incidental or consequential damages. Some states do not allow limitations on how long an implied warranty lasts and other states do not allow the exclusion or limitation of incidental or consequential damages, so the above limitation or exclusion may not apply to you.

This warranty gives you specific legal rights, and you may also have other rights, which vary from state to state. This warranty is applicable in the United States and Canada only. Outside of the U.S. and Canada, please contact your local, authorized Wisdom Audio distributor for warranty and service information.

Obtaining Service

We take great pride in our dealers. Experience, dedication, and integrity make these professionals ideally suited to assist with our customers' service needs.

If your Wisdom Audio loudspeaker must be serviced, please contact your dealer. Your dealer will then decide whether the problem can be remedied locally, or whether to contact Wisdom Audio for further service information or parts, or to obtain a Return Authorization. The Wisdom Audio Service Department works closely with your dealer to solve your service needs expediently.

IMPORTANT: Return authorization must be obtained from Wisdom Audio's Service Department BEFORE a unit is shipped for service.

It is extremely important that information about a problem be explicit and complete. A specific, comprehensive description of the problem helps your dealer and the Wisdom Audio Service Department locate and repair the difficulty as quickly as possible.

A copy of the original bill of sale will serve to verify warranty status. Please include it with the unit when it is brought in for warranty service.

WARNING: All returned units must be packaged in their original packaging, and the proper return authorization numbers must be marked on the outer carton for identification. Shipping the unit in improper packaging may void the warranty, as Wisdom Audio cannot be responsible for the resulting shipping damage.

Your dealer can order a new set of shipping materials for you if you need to ship your loudspeaker and no longer have the original materials. There will be a charge for this service. We strongly recommend saving all packing materials in case you need to ship your unit someday.

If the packaging to protect the unit is, in our opinion or that of our dealer, inadequate to protect the unit, we reserve the right to repackage it for return shipment at the owner's expense. Neither Wisdom Audio nor your dealer can be responsible for shipping damage due to improper (that is, non-original) packaging.

Specifications

All specifications are subject to change at any time to improve the product.

- **Number of required amplifier channels:** 3
- **Frequency response:** 40Hz – 20 kHz \pm 2dB
- **Impedance, planar section:** 4.5 Ω
- **Impedance, woofer section:** 4 Ω
- **Sensitivity, planar section:** 95 dB/2.83V/1m
- **System impedance:** 4.2 Ω
- **System sensitivity:** 95 dB
- **Power handling, continuous:** 500W
- **Max SPL:** 119dB Continuous / 122dB Peak
- **Dimensions:** See appropriate dimensions drawings on next page
- **Shipping weight, each HF Planar:** 32 lbs. (14.5 kg)
- **Shipping weight, each LF Woofer:** 62 lbs. (28 kg)

For more information, see your Wisdom Audio dealer or contact:

Wisdom Audio

1572 College Parkway, Suite 164

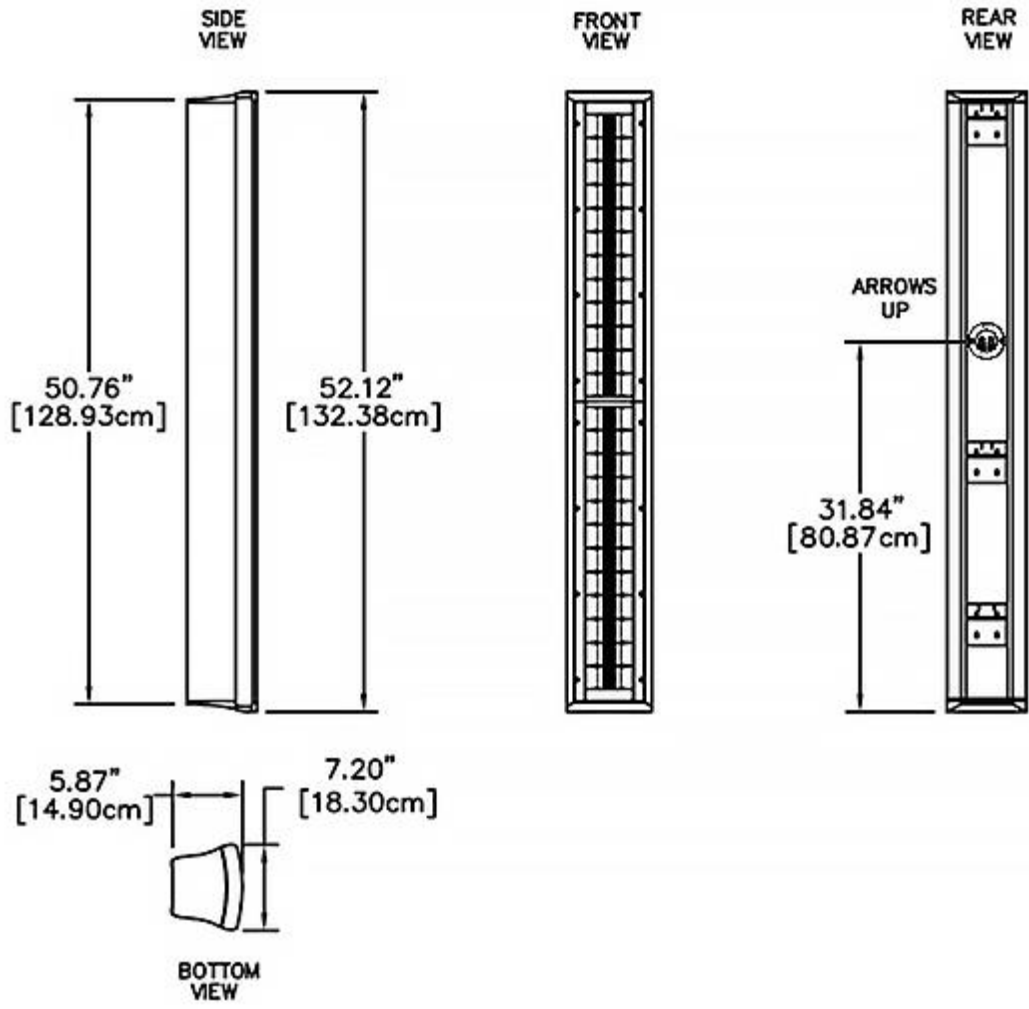
Carson City, NV 89706

wisdomaudio.com

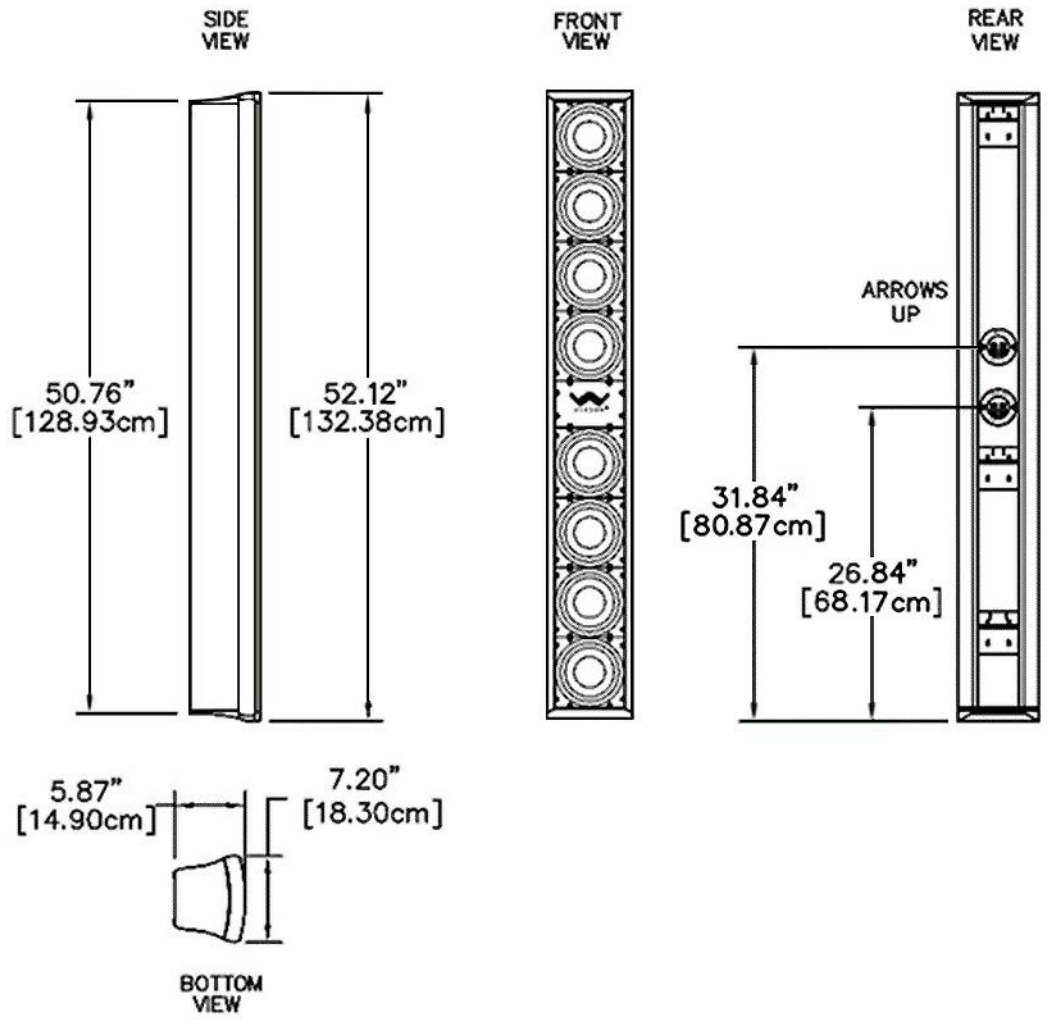
information@wisdomaudio.com

(775) 887-8850

L100m Dimensions HF Planar Section



L100m Dimensions LF Woofer Section





WISDOM and the stylized W are registered trademarks of Wisdom Audio.

Wisdom Audio 1572 College Parkway, Suite 164
Carson City, Nevada 89706 USA
TEL (775) 887-8850
FAX (775) 887-8820
wisdomaudio.com