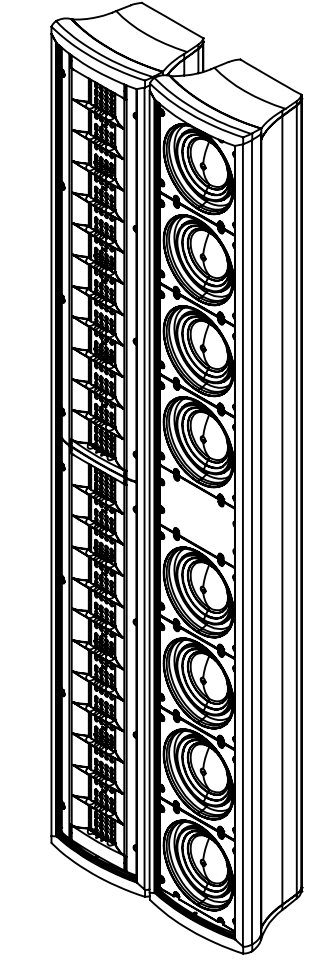
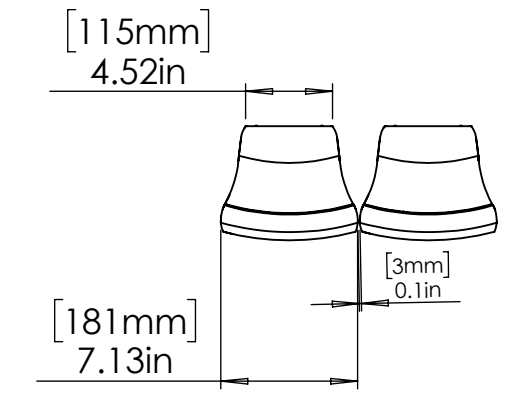
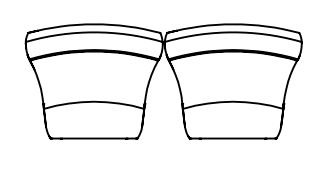
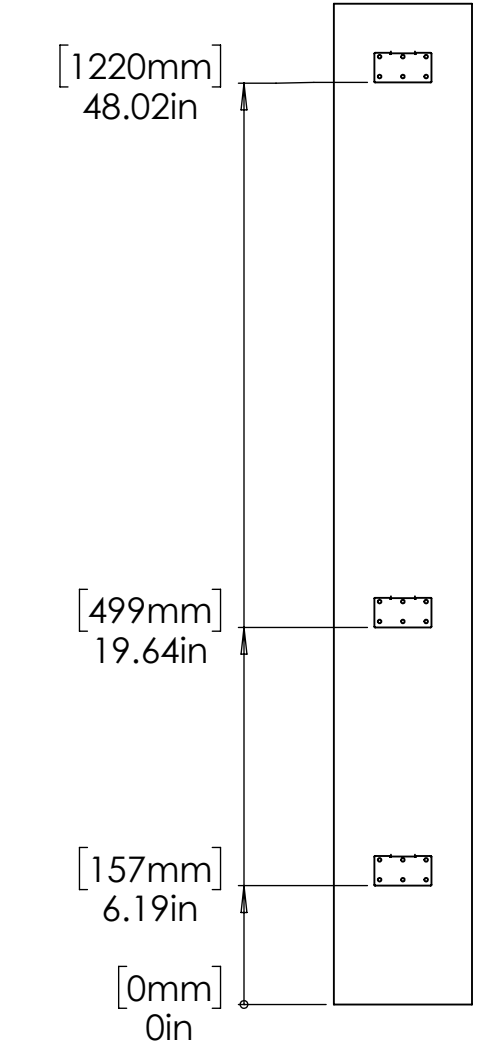
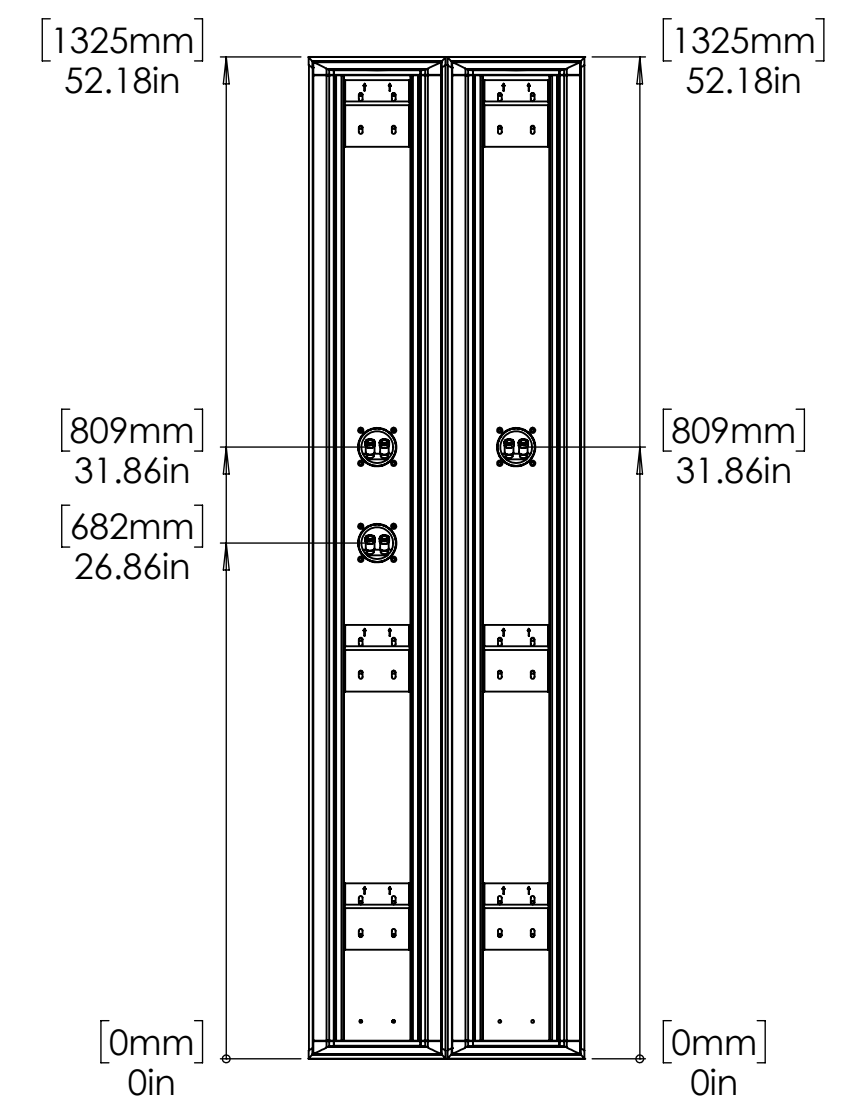
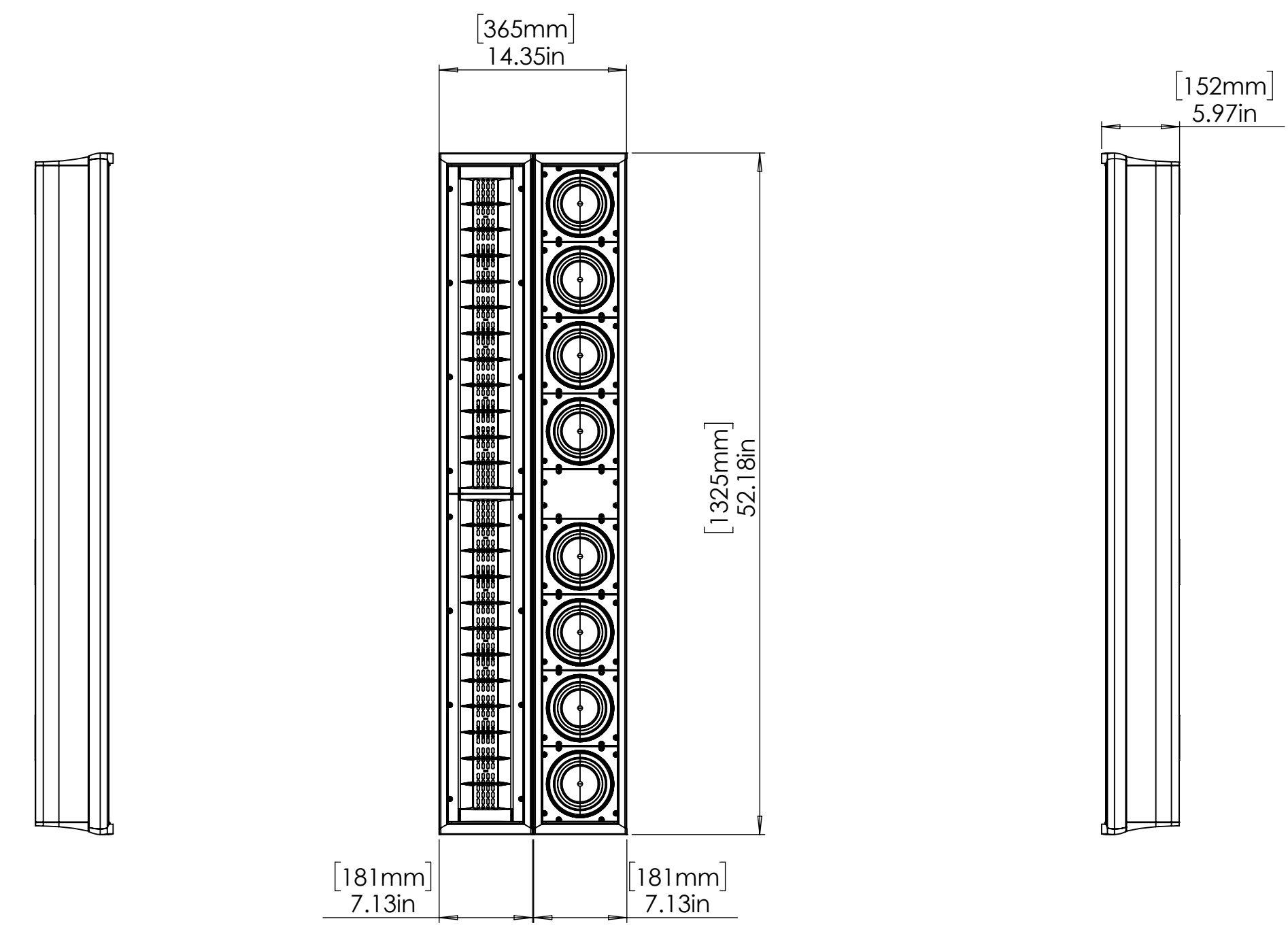


REVISIONS				
ZONE	REV.	DESCRIPTION	DATE	APPROVED

Recommended spacing  
between modules:  
[3mm]  
0.1in



Single Wall Bracket shown for clarity



1.  
NOTES: (UNLESS OTHERWISE SPECIFIED)  
All dimensions in Inches and [mm]

THIRD ANGLE PROJECTION 	(UNLESS OTHERWISE SPECIFIED) DIMENSIONS IN INCHES TOLERANCES: DECIMALS    ANGLES .X : +/- 0.050    X : +/- 1.0° .XX : +/- 0.020    X.X : +/- 0.5° .XXX : +/- 0.010    X.XX : +/- 0.05° ALL Ø'S FOR PEM HARDWARE +.003    -.000	DRAWN: _____ DATE: _____ REVISION DATE: _____ ENGR: _____ APPROVED: _____	<b>Wisdom Audio</b> 1572 College Parkway, Suite 164 Carson City, Nevada 89706
		<b>CAD GENERATED DRAWING : DO NOT MANUALLY UPDATE</b> Copyright 2006 WISDOM AUDIO. THIS IS CONFIDENTIAL AND PROPRIETARY INFORMATION THAT BELONGS TO WISDOM AUDIO. IT MAY NOT BE USED OR REPRODUCED IN ANY MEDIA OR DISCLOSED WITHOUT THE PRIOR WRITTEN CONSENT OF OWNER.	DO NOT SCALE DRAWING MATERIAL: _____ FINISH: _____