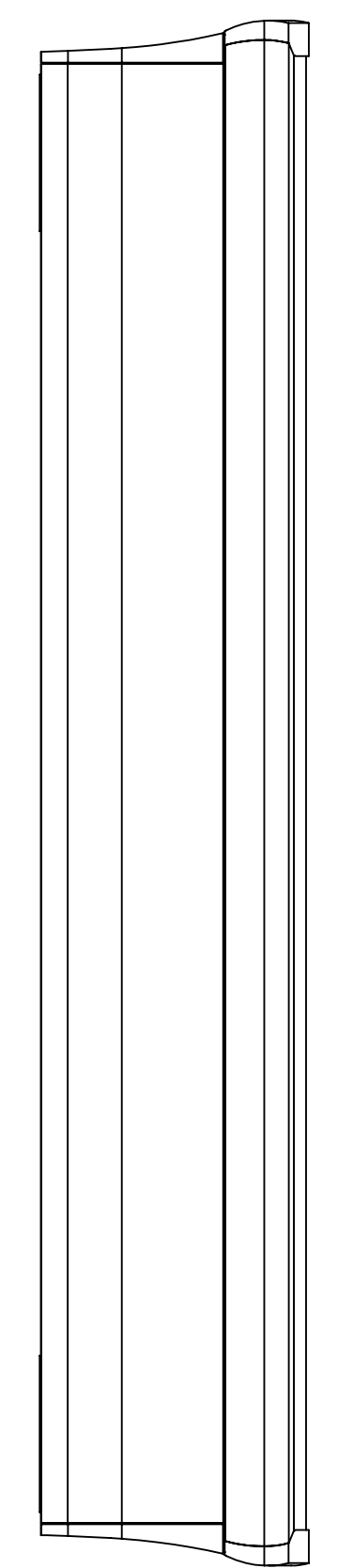
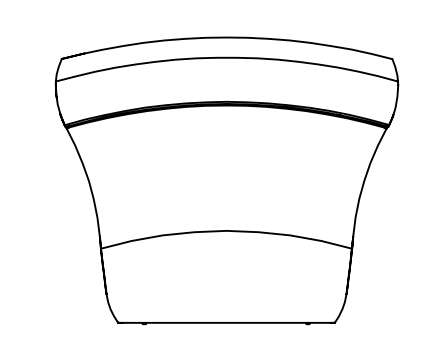
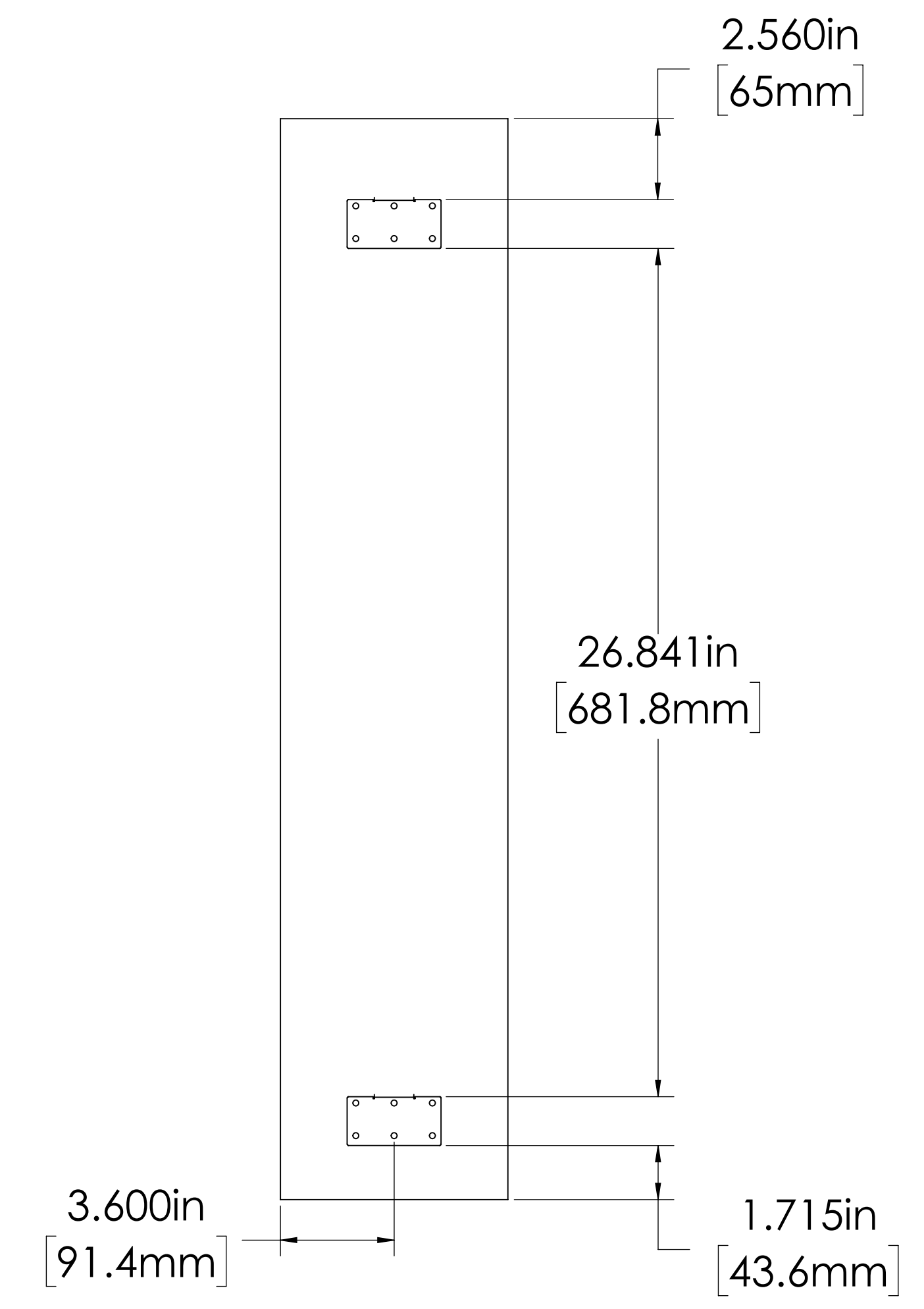
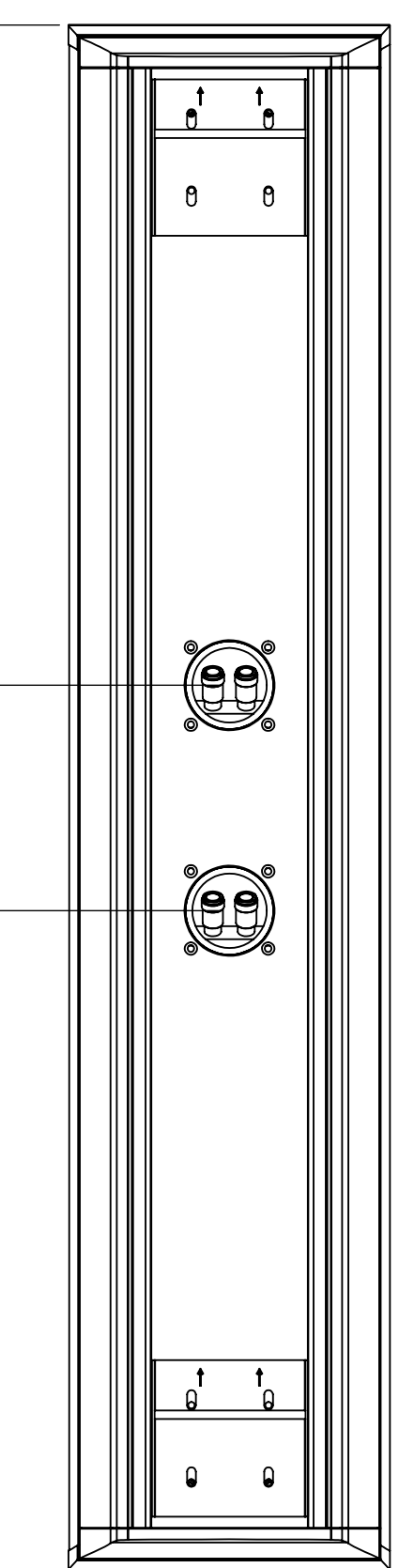
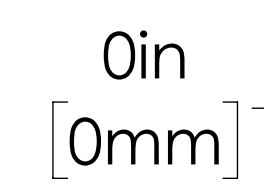
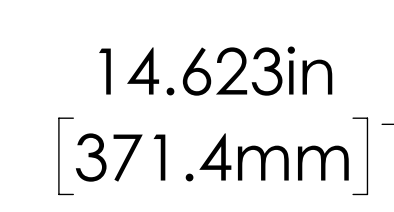
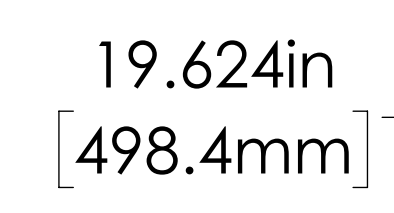
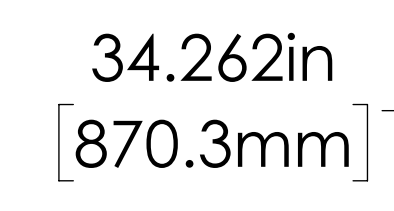
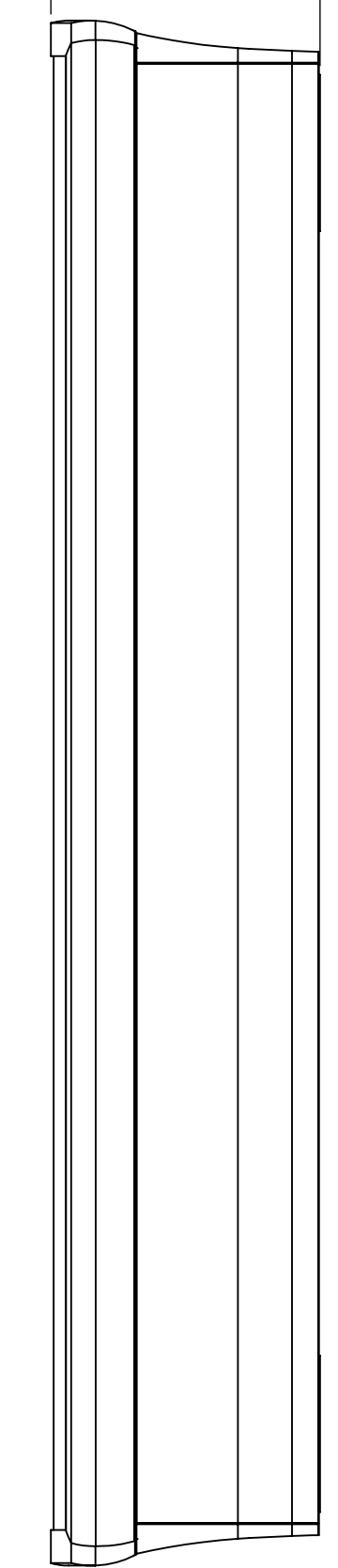
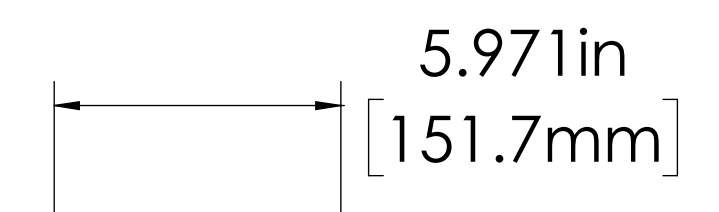
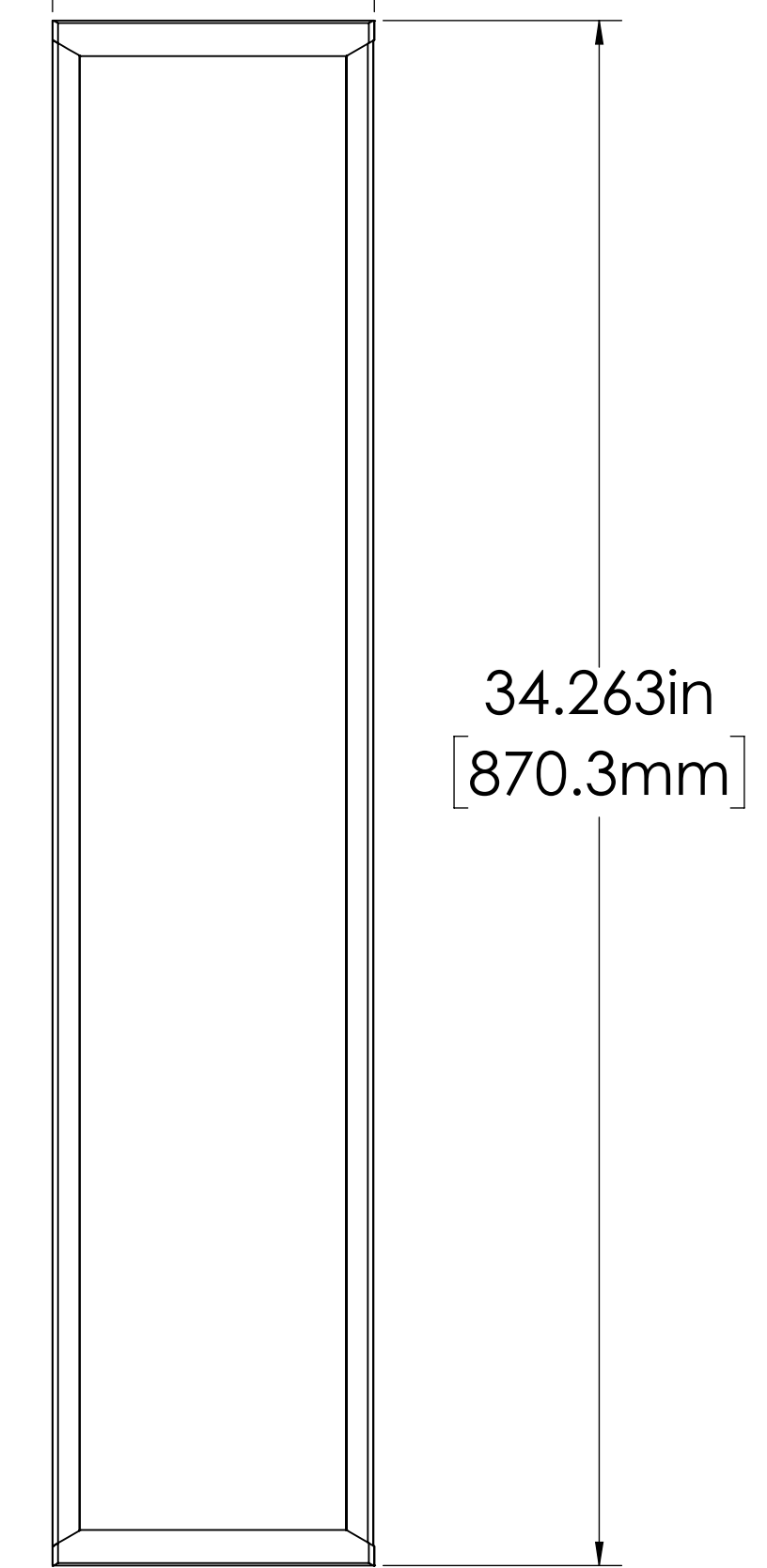
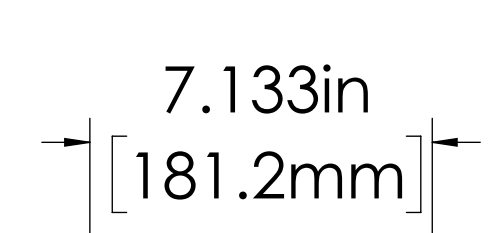
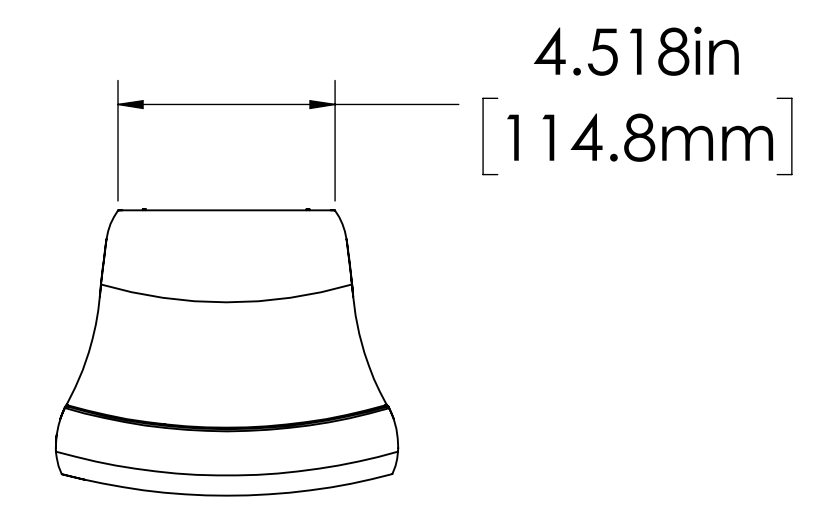


REVISIONS			
REV.	DESCRIPTION	DATE	APPROVED



1.  
NOTES: (UNLESS OTHERWISE SPECIFIED)

THIRD ANGLE PROJECTION 	(UNLESS OTHERWISE SPECIFIED) DIMENSIONS IN INCHES TOLERANCES: DECIMALS    ANGLES .X : +/- 0.050    X : +/- 1.0° .XX : +/- 0.020    X.X : +/- 0.5° .XXX : +/- 0.010    X.XX : +/- 0.05° ALL Ø'S FOR PEM HARDWARE +.003    -.000	DRAWN: _____	DATE: _____	<b>Wisdom Audio</b> 1572 College Parkway, Suite 164 Carson City, Nevada 89706
		REVISION DATE: _____	ENGR: _____	
CAD GENERATED DRAWING : DO NOT MANUALLY UPDATE		DO NOT SCALE DRAWING		MATERIAL: _____ FINISH: _____
Copyright 2006 WISDOM AUDIO. THIS IS CONFIDENTIAL AND PROPRIETARY INFORMATION THAT BELONGS TO WISDOM AUDIO. IT MAY NOT BE USED OR REPRODUCED IN ANY MEDIA OR DISCLOSED WITHOUT THE PRIOR WRITTEN CONSENT OF OWNER.		SIZE: <b>D</b>	SCALE: 1:4	DWG NUMBER: _____ SHEET: 1 OF 1