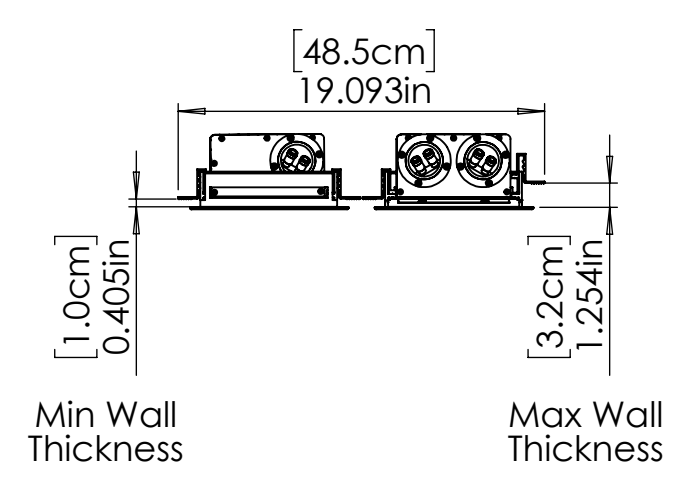
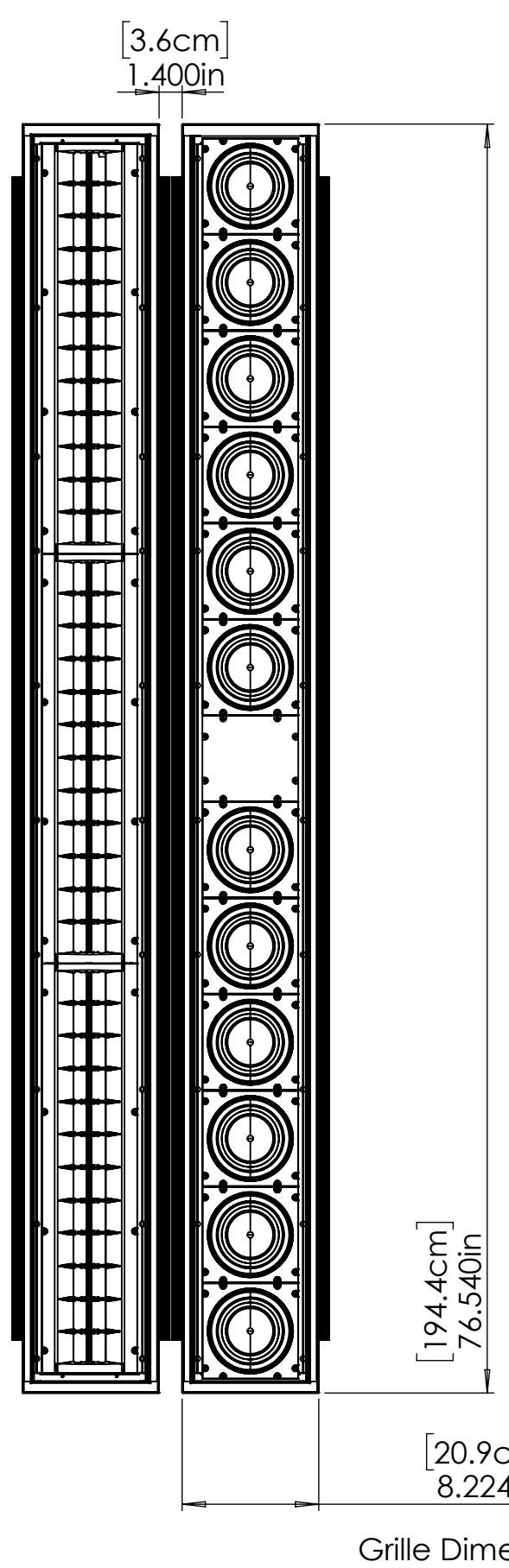


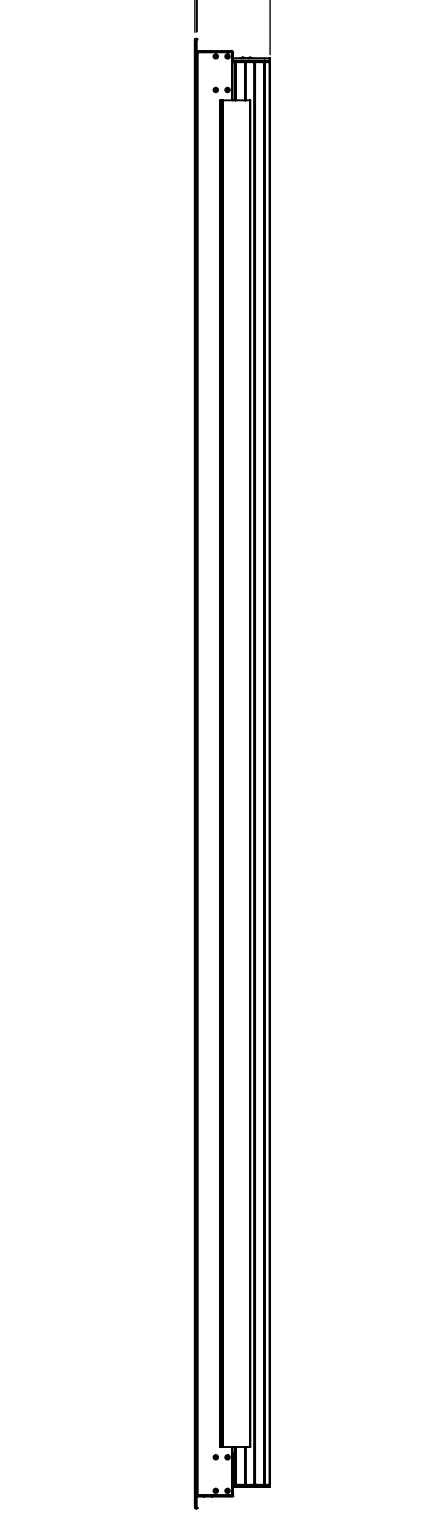
REVISIONS				
ZONE	REV.	DESCRIPTION	DATE	APPROVED
	A	Initial release - Architects & Engineers	10/17/2024	



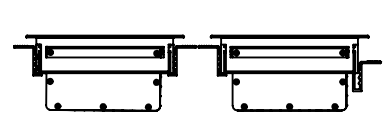
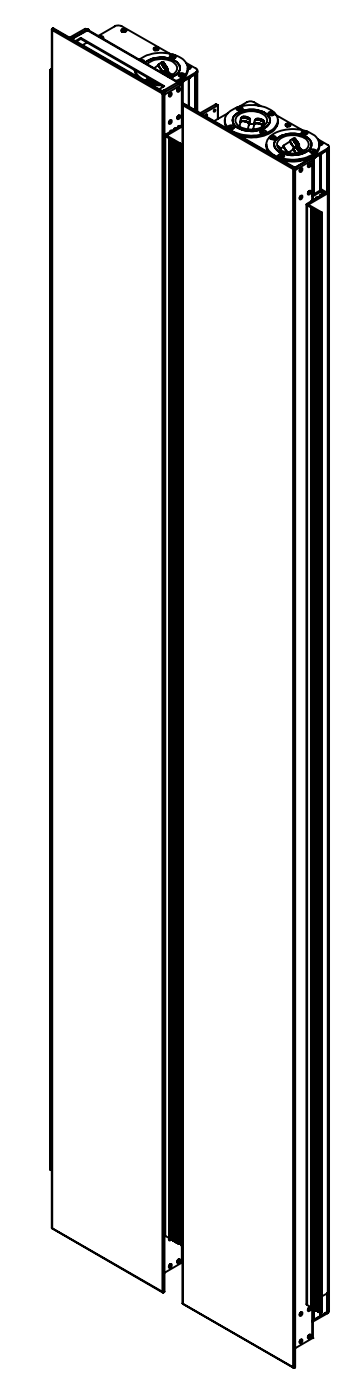
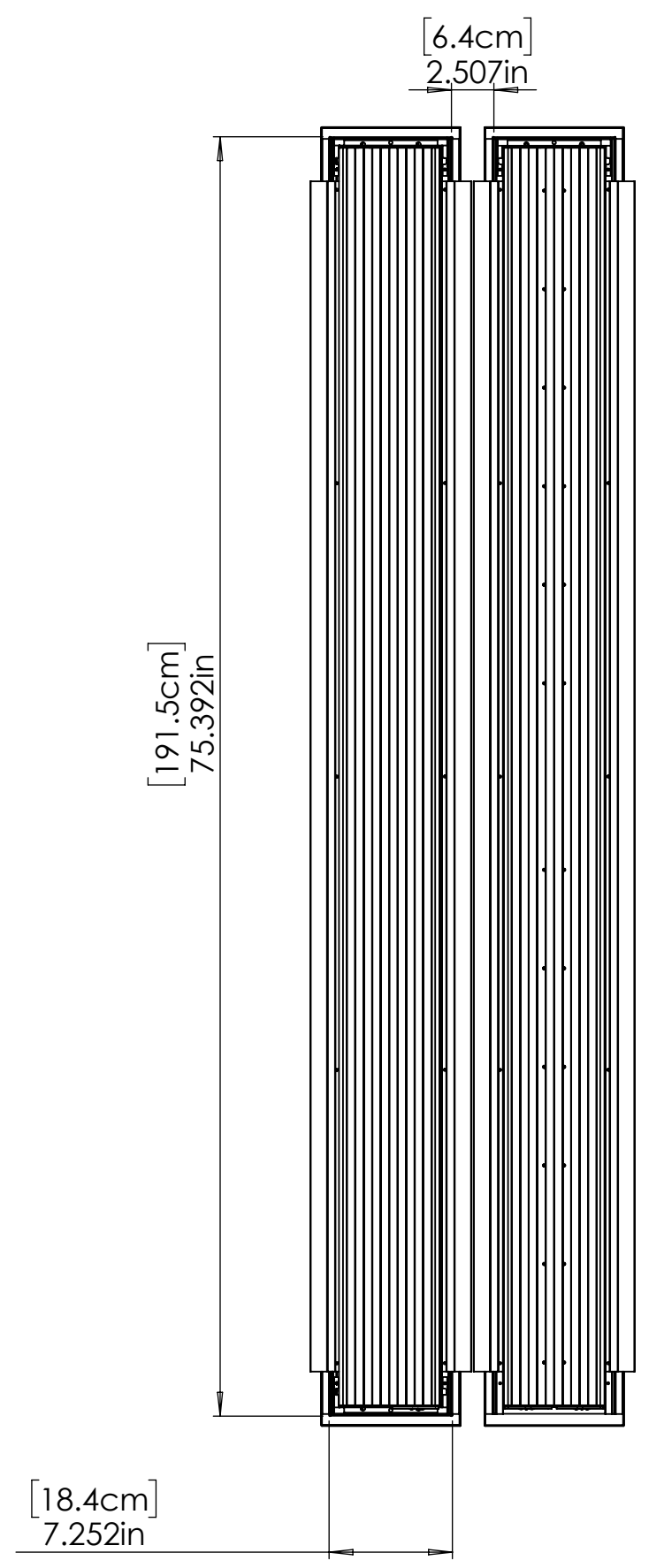
Finished grille spacing



Grille Depth



Recommended Wall cutout spacing between Woofer and PMD modules



1.
NOTES: (UNLESS OTHERWISE SPECIFIED)

THIRD ANGLE PROJECTION	(UNLESS OTHERWISE SPECIFIED)	DRAWN:	DATE:	Wisdom Audio 1572 College Parkway, Suite 164 Carson City, Nevada 89706
	DIMENSIONS IN INCHES	REVISION DATE:		
CAD GENERATED DRAWING : DO NOT MANUALLY UPDATE	TOLERANCES:	ENGR:		TITLE: 971506 L150i Speaker with ms1.1
	DECIMALS ANGLES	APPROVED:		
	X : +/- 0.050 X : +/- 1.0° .XX : +/- 0.020 .XX : +/- 0.5° .XXX : +/- 0.010 .XXX : +/- 0.05°			
ALL Ø'S FOR PEM HARDWARE +.003 -.000		DO NOT SCALE DRAWING		SIZE: D
Copyright 2006 WISDOM AUDIO. THIS IS CONFIDENTIAL AND PROPRIETARY INFORMATION THAT BELONGS TO WISDOM AUDIO. IT MAY NOT BE USED OR REPRODUCED IN ANY MEDIA OR DISCLOSED WITHOUT THE PRIOR WRITTEN CONSENT OF OWNER.		MATERIAL:		DWG NUMBER:
		FINISH:	FINISH	SCALE: 1:10
				SHEET: 1 OF 1 REV: A