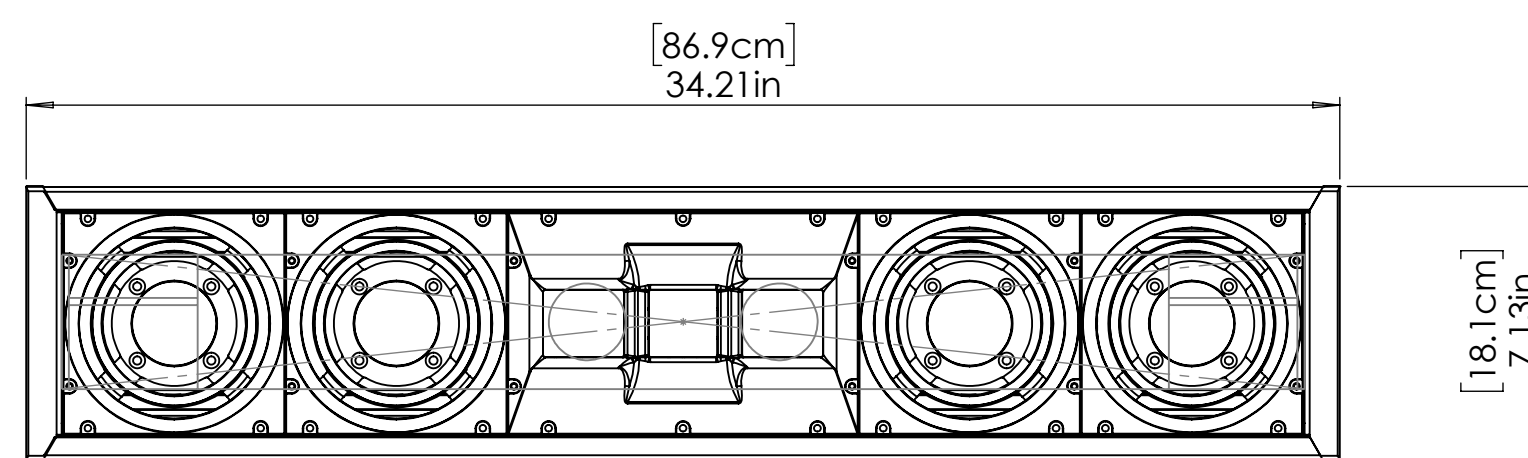
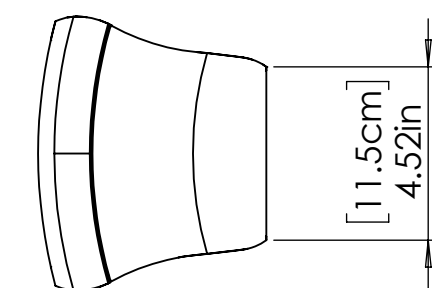


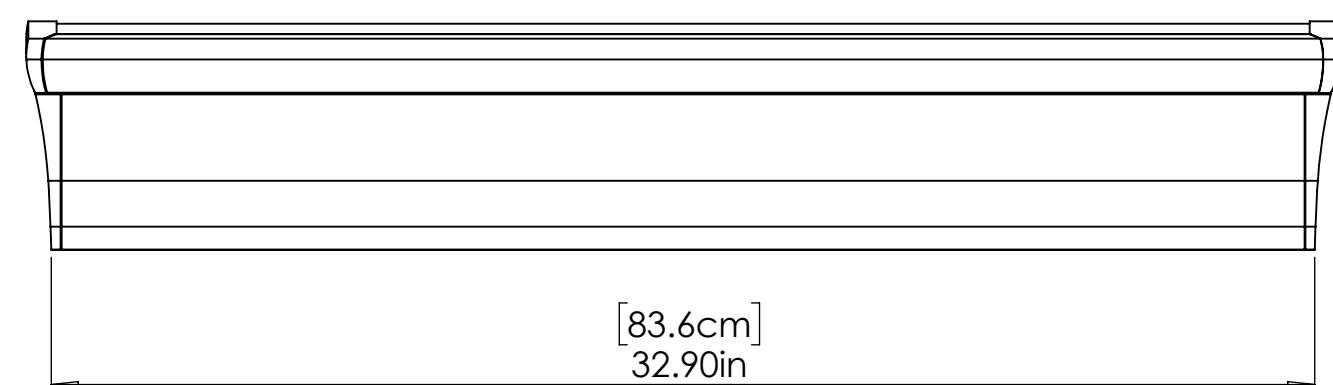
Top View



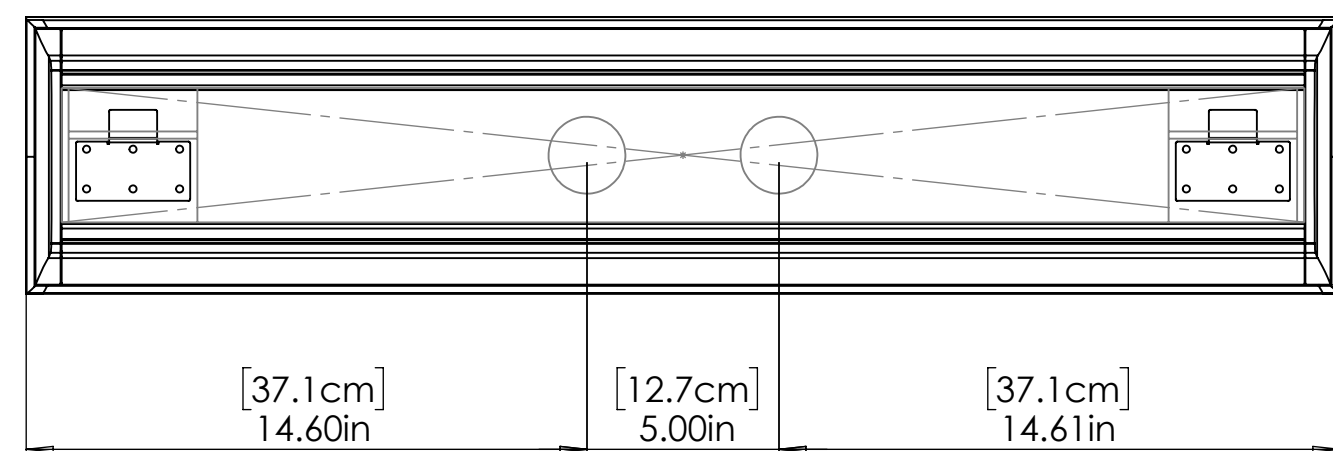
Front View



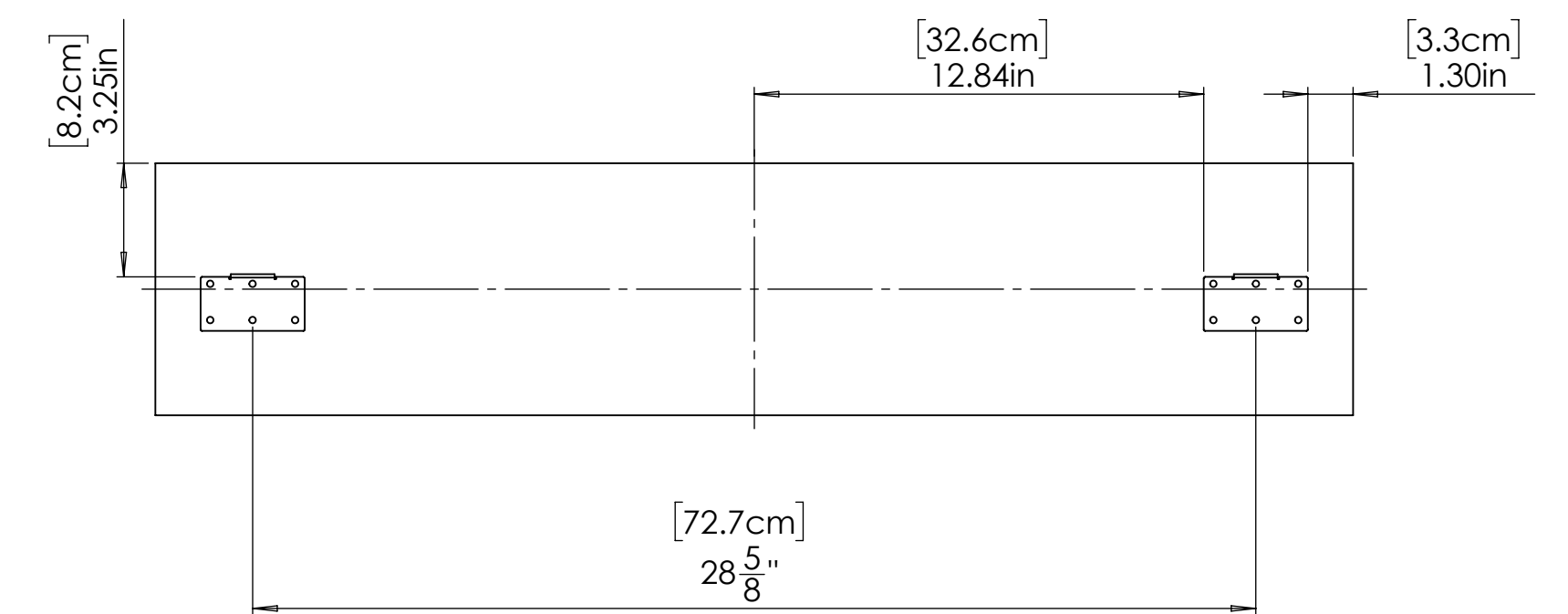
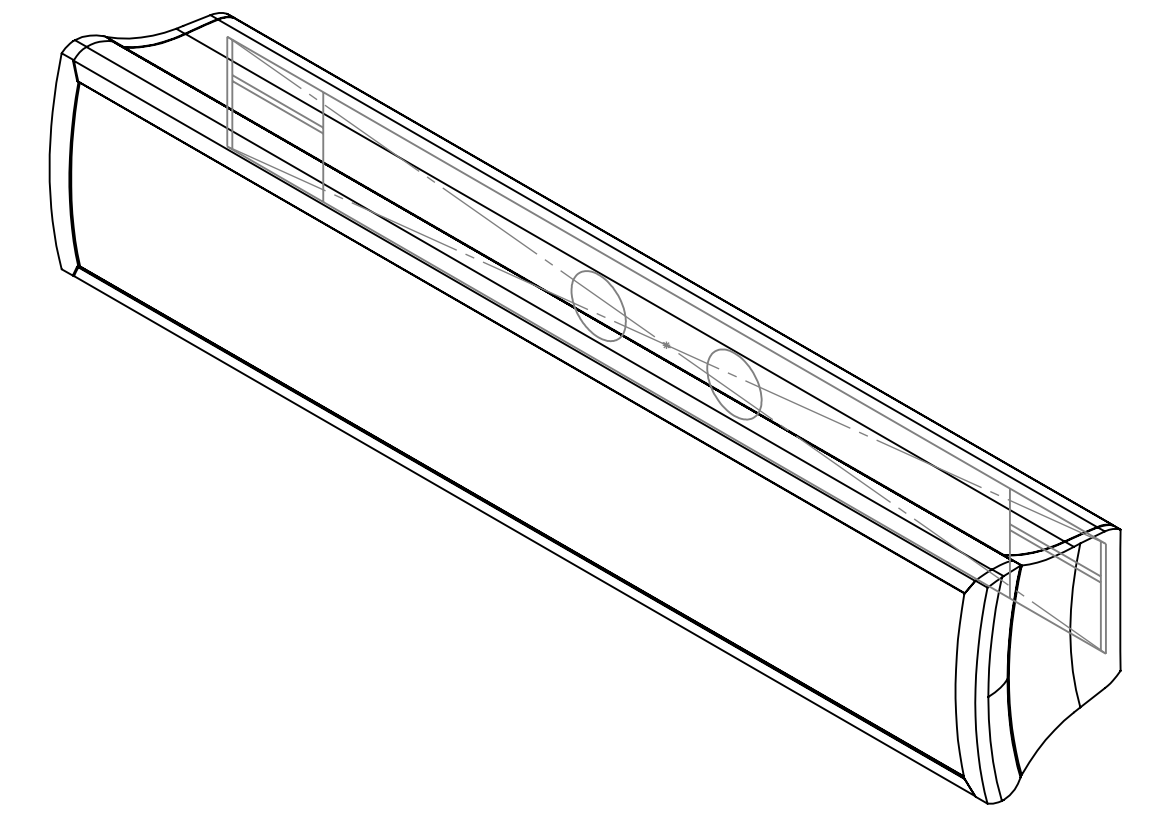
Side View



Bottom View



Rear View



Onwall Bracket / Template

1.
NOTES: (UNLESS OTHERWISE SPECIFIED)

THIRD ANGLE PROJECTION 	(UNLESS OTHERWISE SPECIFIED)	DRAWN: _____ DATE: _____	Wisdom Audio 1572 College Parkway, Suite 164 Carson City, Nevada 89706	
	DIMENSIONS IN INCHES	REVISION DATE: _____		
CAD GENERATED DRAWING : DO NOT MANUALLY UPDATE	TOLERANCES:	ENGR: _____	<h1>C38m On-Wall</h1>	
	DECIMALS ANGLES	APPROVED: _____		
	.X : +/- 0.050 X : +/- 1.0° .XX : +/- 0.020 .XX : +/- 0.5° .XXX : +/- 0.010 .XXX : +/- 0.05°			
ALL Ø'S FOR PEM HARDWARE +.003 -.000		DO NOT SCALE DRAWING		
Copyright 2006 WISDOM AUDIO.		MATERIAL: _____	SIZE: D	DWG NUMBER: _____
THIS IS CONFIDENTIAL AND PROPRIETARY INFORMATION THAT BELONGS TO WISDOM AUDIO. IT MAY NOT BE USED OR REPRODUCED IN ANY MEDIA OR DISCLOSED WITHOUT THE PRIOR WRITTEN CONSENT OF OWNER.		FINISH: _____	SCALE: 1:5	REV: _____
			1	SHEET: 1 OF 1