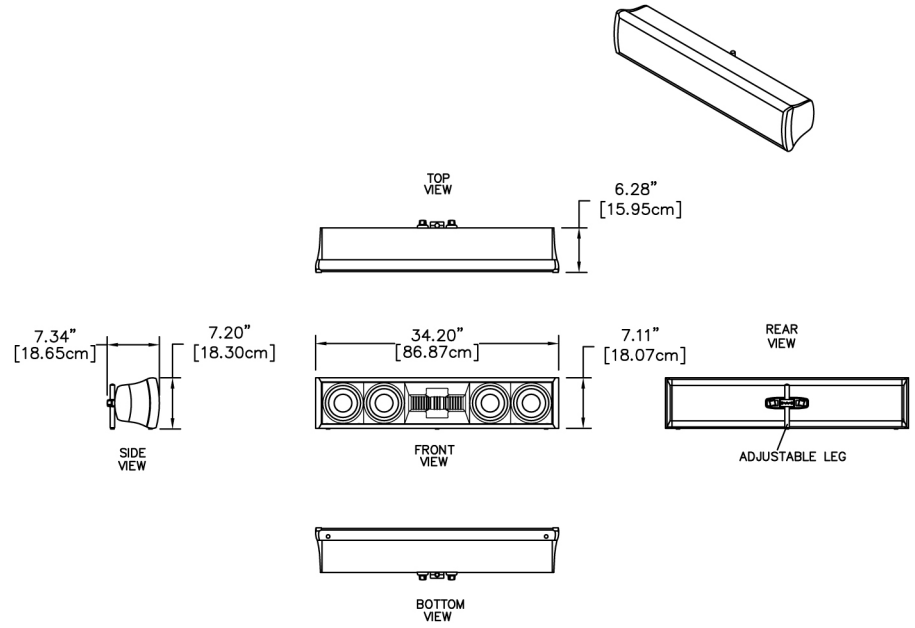
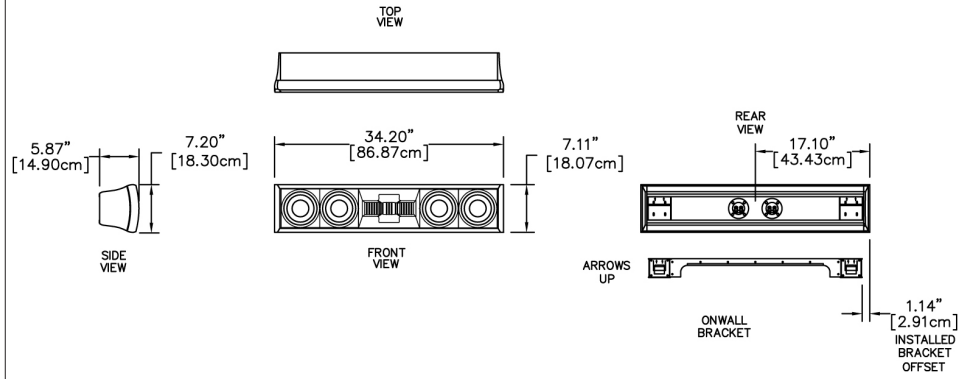


# C38 Dimensions



# C38m Dimensions



# C38i Dimensions

