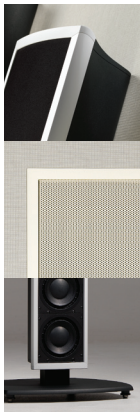


P20 Loudspeaker

Available in In-Wall, On-Wall and Freestanding versions.



P20 Loudspeaker

Compact in size, the P20 defies traditional categorization. Sharing the core technology and design elements of its larger Sage Series siblings, it is hard to believe the musical performance, realistic dynamic quality and sound pressure capability of this small loudspeaker.

The P20 can be used in in-wall (P20i), on-wall (P20m) or freestanding (P20) applications. Sharing the same driver technology, it is timbre matched and can be combined with other Sage Series in-wall, on-wall and freestanding models as desired for the specific installation. All versions are constructed entirely from aircraft grade aluminum. Slim and elegant in design, the freestanding and on-wall versions of the P20 blend nicely into a variety of décors where traditional loudspeakers might otherwise intrude excessively on the room's appearance. Their clear anodized interlocking trim bezels and matte charcoal colored cabinet convey an exquisite balance of industrial design and build quality unique among consumer loudspeakers. The narrow aspect P20i in-wall design becomes one with the wall, via its paintable grill and bezel, while its all aluminum chassis and integral back box enclosure ensure optimal and consistent performance regardless of mounting environment.

The P20 uses two of the same high operating pressure 6-inch woofers found in its larger Sage Series siblings. A groundbreaking 2-inch planar magnetic tweeter is responsible for this series' characteristic transparency, detail and instantaneous dynamics, handles the midrange and high frequencies, and extends all the way down to 650 Hz. The diaphragm is actually square, but the acoustic lens optimizes the dispersion at the highest frequencies while allowing the midrange frequencies to pass through without attenuation. The result is excellent, uniform horizontal dispersion throughout its operating range. This amazing PMD tweeter may not play as loudly as the larger ones in the other Sage models, but it will still outperform a conventional 1-inch dome tweeter, while handling almost two additional octaves of the midrange.

As with all Sage Series systems, the 7.3 channel SC-1 System Controller is the heart of the system. It provides the active crossover between bass and midrange/treble, system-specific EQ, as well as Audyssey MultEQ® XT room correction on all 17 output channels for consistent, no-compromise performance in every installation.

The P20 sonically presents itself in a room with a level of clarity, dynamic range, bass reproduction and imaging that is surprising for its size. Employing a unique planar magnetic tweeter for the majority of its output range, it is incredibly detailed and dynamic, and does not suffer from the sonic

compression that plagues many conventional loudspeaker designs. The P20 provides stunning, lifelike dynamic music reproduction that belies its slim profile and compact design.

Ideal for a multichannel system where either space constraints or the demand for a minimal visual impact solution are a priority, the P20, P20m and P20i architectural loudspeakers deliver high definition sound that is a perfect complement to high definition video, while opening up new worlds of sonic performance for your musical enjoyment.



Wisdom Audio
 1572 College Parkway, Suite 164
 Carson City, NV 89706
 775-887-8850
 fax 775-887-8820
 www.wisdomaudio.com
 information@wisdomaudio.com

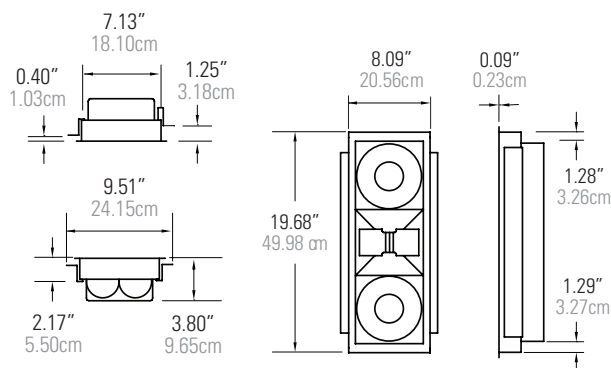
The World's Most Advanced Architectural Loudspeakers.™

P20 Specifications

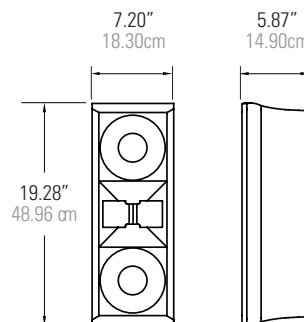
All specifications are subject to change at any time, in order to improve the product.

Frequency response	40Hz – 20kHz ± 2dB relative to the target curve
Frequency response, 30° off horizontal axis	40Hz – 15kHz ± 2dB relative to the target curve
Impedance, planar section	3 ohms
Impedance, woofer section	5 ohms
Sensitivity, planar section	87 dB / 2.83 V / 1m
Sensitivity, woofer section	87 dB / 2.83 V / 1m
Shipping weight: <i>each P20</i>	24 lbs. (11 kg)
<i>each P20m</i>	23 lbs. (10.5 kg)
<i>each P20i</i>	21 lbs. (9.5 kg)

P20i, In-wall



P20m, On-wall



P20, Freestanding

